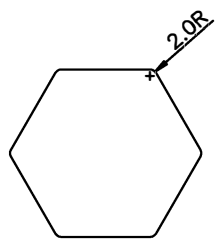
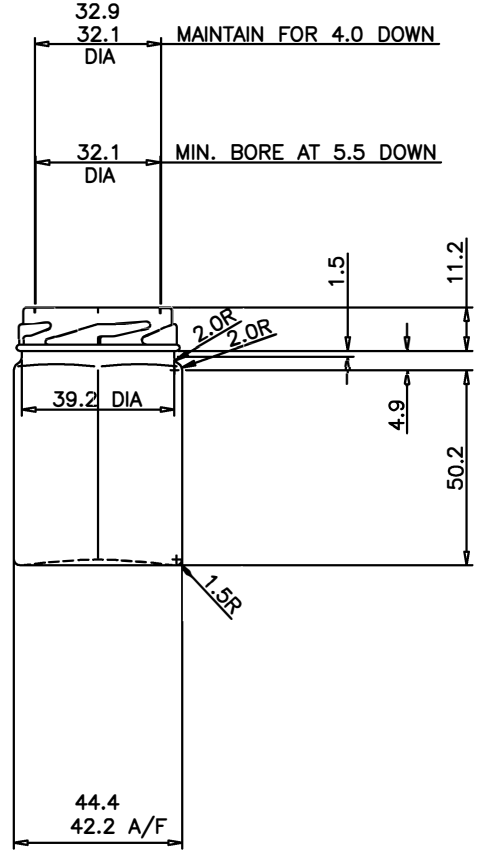
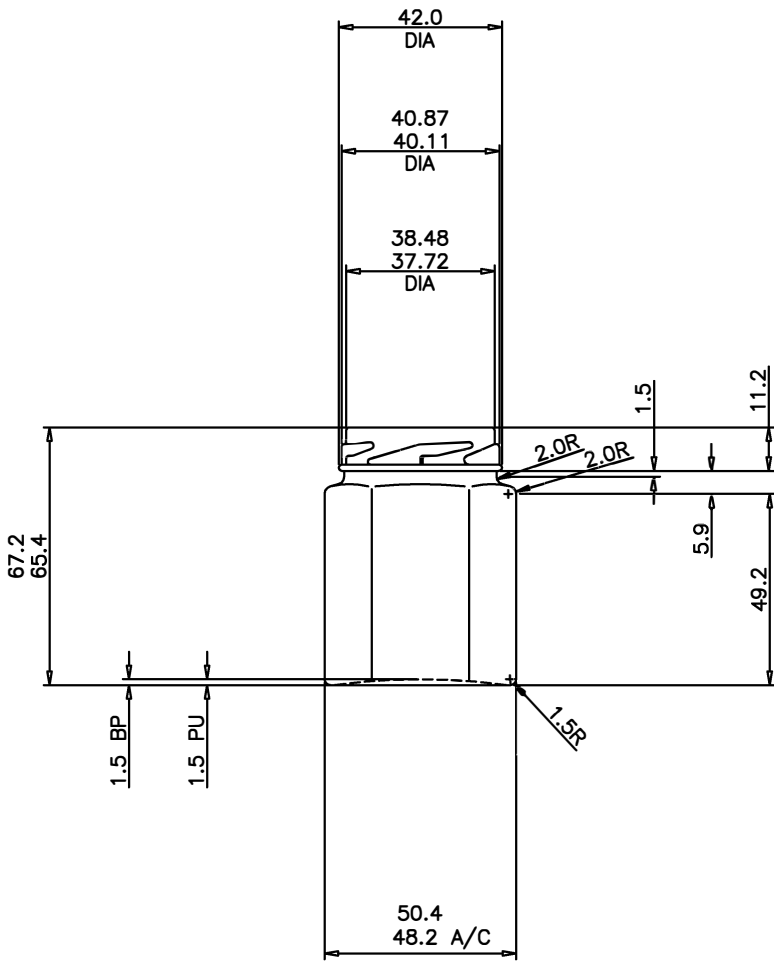
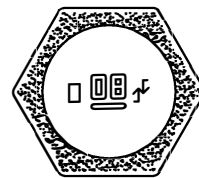


55ml Hexagonal Jar



BODY SECTION



ALPHA NUMERIC CODE
USE 2.5 GRID

VIEW ON BASE
SHOWING EMBOSSED MARKING
STANDING AREA EMBOSSED
WITH STIPPLE