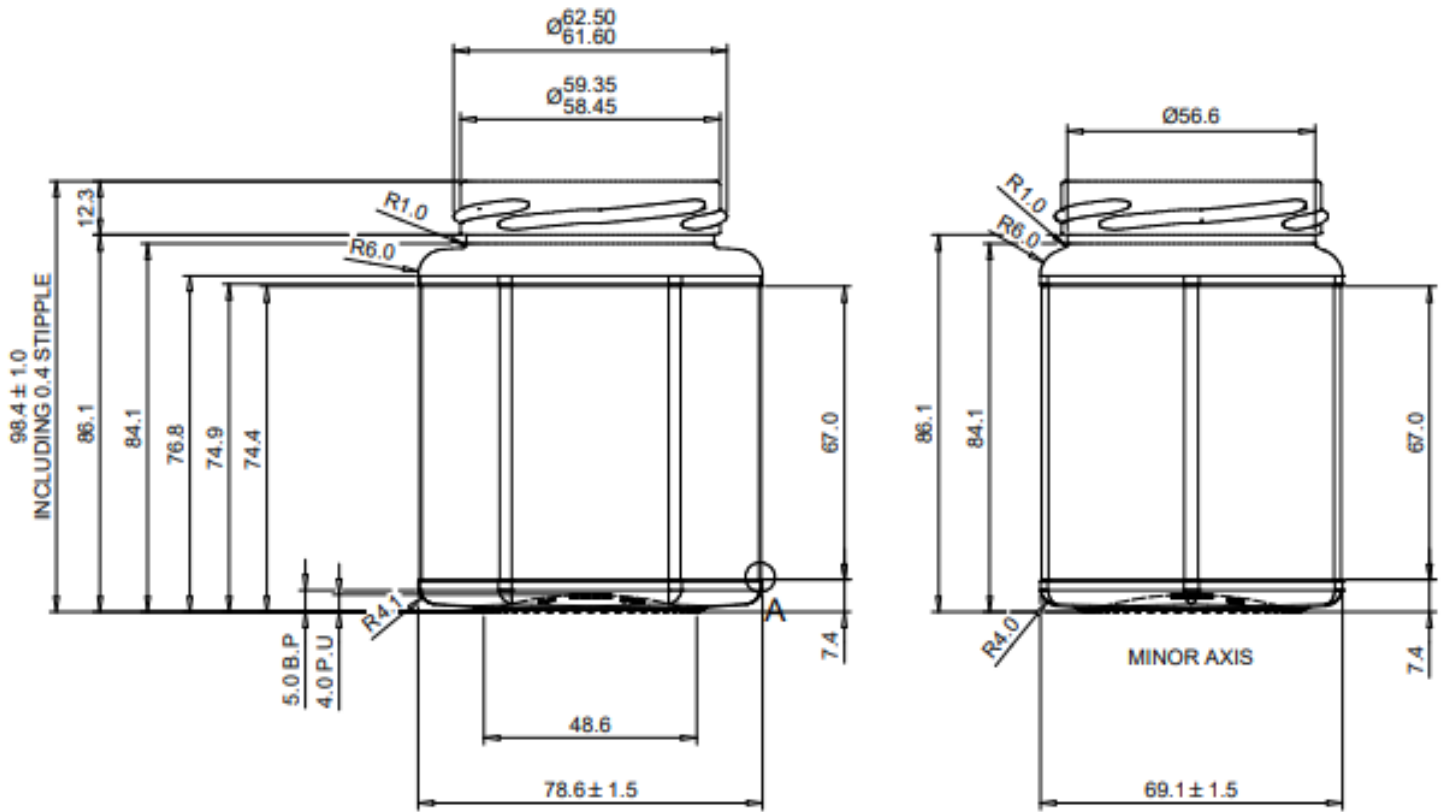
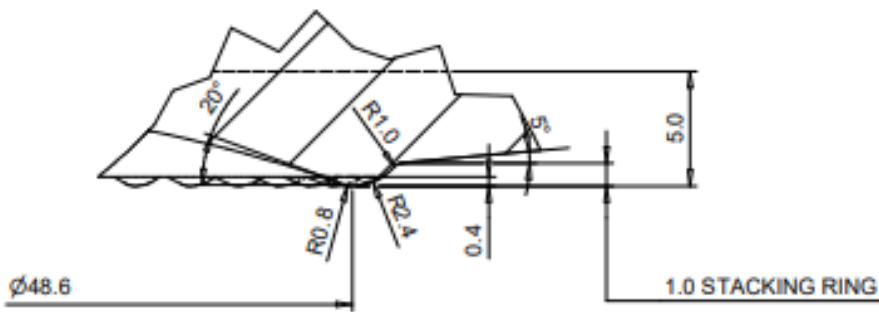


Hexagonal

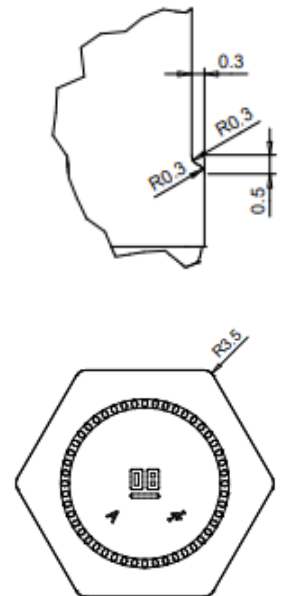
280ml



STACKING RING DETAIL (5:1)



PANEL DETAIL (10:1)



VIEW ON BASE SHOWING EMBOSSED MARKINGS STANDING AREA EMBOSSED WITH STIPPLE FORMING STACKING RING

Wares of Knutsford Ltd.

+44 (0) 1477 53224
info@waresofknutsford.co.uk



Committed to a sustainable world

Diameter	7cm		
Colour	Clear		
Neck Size	63mm	Capacity	280ml
Label Size	6.7cm	Height	9.8cm