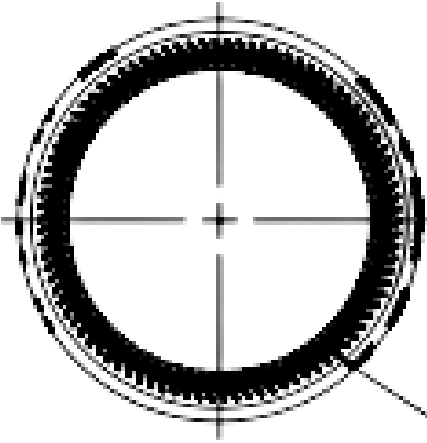


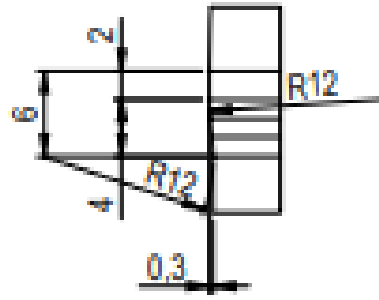
# Milk

## 250ml

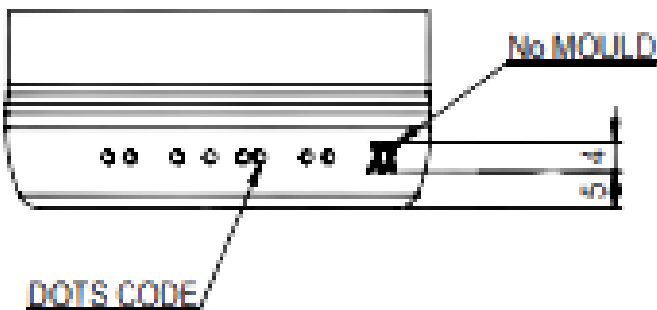
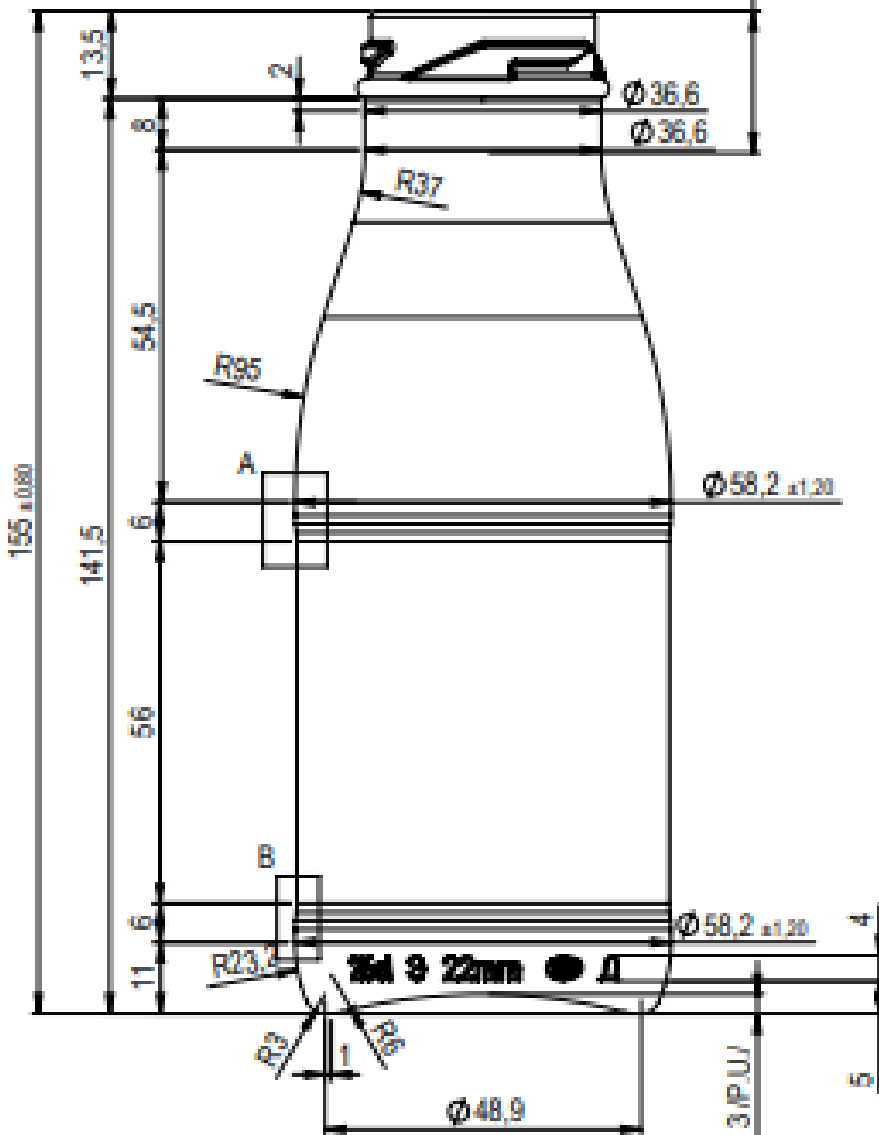
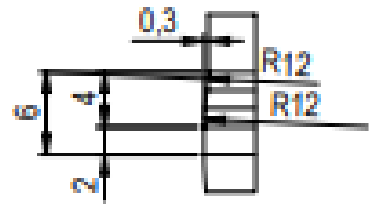


90 KNURLINGS, HEIGHT 0.5mm  
22 (FILL LINE)

DETAIL A  
SCALE 2:1



DETAIL B  
SCALE 2:1



Capacity	250ml
Height	15.5cm
Diameter	5.5cm
Colour	Clear Glass
Neck Finish	Twist 38mm
Label Size	5.6cm

Wares of Knutsford Ltd.

+44 (0) 1477 53224  
info@waresofknutsford.co.uk



Committed to a sustainable world